

FITTING INSTRUCTION

Clamp mark in acc. with		Cables joining
ISO	PN	
1	L	Left directional lights
2	+	Rear fog lights
3	31	Ground
4	R	Right directional lights
5	58R	Right side parking lights
6	54	Stoplights
7	58L	Left side parking lights

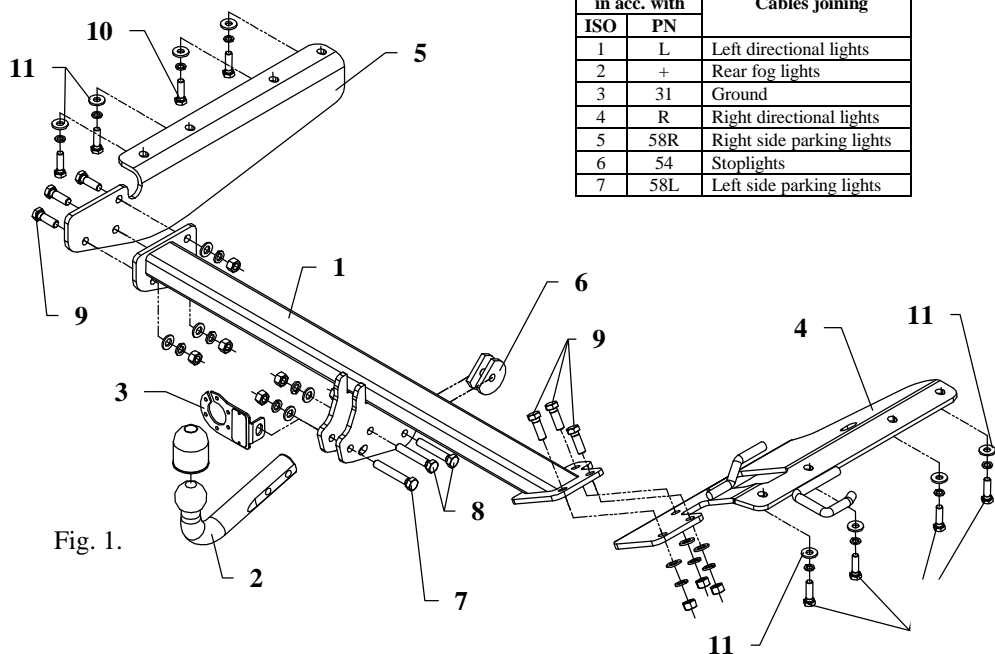


Fig. 1.

This towbar is designed to assembly in following cars:
HONDA CR-V, produced since 01.2007, catalogue no. **Y33** and is prepared to tow trailers max total weight **2000 kg** and max vertical load **100 kg**.

Torque settings for nuts and bolts (8,8):

M6 - 11 Nm	M8 - 25 Nm	M10 - 50 Nm
M12 - 87 Nm	M14 - 138 Nm	M16 - 210 Nm

From manufacturer

Thank you for buying our product. Their reliability has been confirmed in many tests. Reliability of towbar depends also on correct assembly and right operation. For this reasons we kindly ask to read carefully this instruction and apply to hints.

The towbar should be install in points described by a car producer.

The instruction of the assembly

1. Disassemble the rear bumper and rear diffuser.
2. Get lower the muffler from last handles.
3. Rubber handles of the muffler assemble on right bracket of the towbar (pos. 4) – see figure 2.
4. Right bracket (pos. 4) fix loosely to the right chassis member by bolts M10x1,25x35mm (pos. 11) and flat washers (pos. 11).
5. Left bracket (pos. 5) fix loosely to the left chassis member by bolts M10x1,25x35mm (pos. 11) and flat washers (pos. 11).
6. Between mounted brackets (pos. 4 and 5) put main bar of the towbar (pos. 1) and fix it by bolts M12x35mm (pos. 9) and by bolt M12x70mm (pos. 8) to the original towing eye. Use two cut washers (pos. 6), see figure 1.
7. Reassemble the bumper after cut out its fragment according to figure 3.
8. Fix tow-ball (pos. 2) with socket plate (pos. 3) using bolts M12x75mm (pos. 7) and M12x70mm (pos. 8) from accessories. See figure 1.
9. Tighten all bolts according to the torque shown in the table.
10. Connect electric wires of 7-poles socket according to the instruction of the car. (Recommend to make at authorized service station).
11. Complete paint layer damaged during installation.

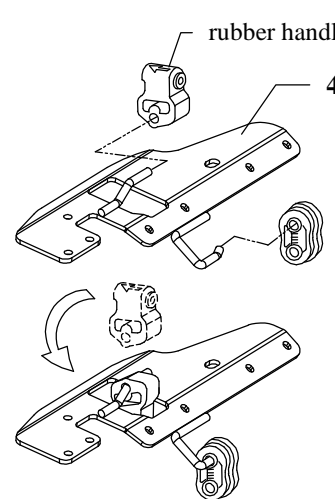


Fig. 2. The manner of the assembly handles of the muffler

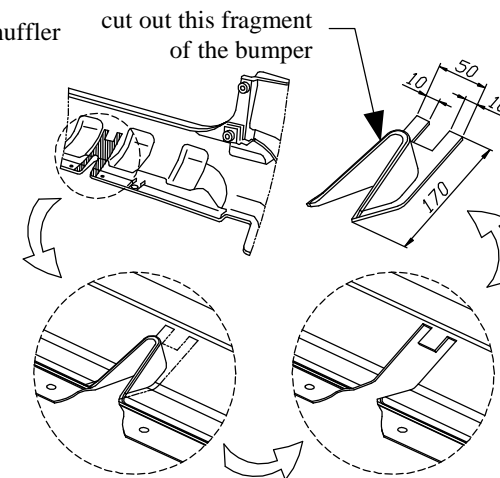


Fig. 3. Cut the bumper

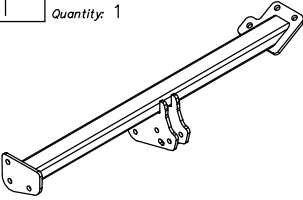
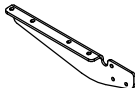

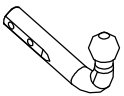


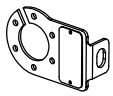
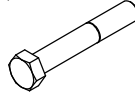

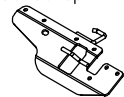
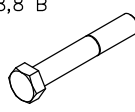

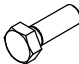


NOTE

After install the towbar you should get adequate note in registration book (at authorised service station). The car should be equipped with:

- Indicators
- Tow mirrors

After 1000km of exploitation check all bolts and nuts. The ball of towbar must be always kept clear and conserve with a grease.

Towbar accessories:

Pos. 1	Name: Main bar Quantity: 1	Pos. 5	Name: Left bracket Quantity: 1	Pos. 11	Name: Washer Quantity: 8 Dim.: $\varnothing 25 \times \varnothing 11 \times 3 \text{mm}$
					
Pos. 2	Name: Tow ball Quantity: 1	Pos. 6	Name: Truncate washer Quantity: 2 Dim.: $\varnothing 58 \times \varnothing 13 \times 8 \text{mm}$	Pos. 12	Name: Nut 8 B Quantity: 9 Dim.: M12
					
Pos. 3	Name: Socket plate Quantity: 1	Pos. 7	Name: Bolt 8,8 B Quantity: 1 Dim.: M12x75mm	Pos. 13	Name: Plain washer Quantity: 9 Dim.: $\varnothing 13 \text{ mm}$
					
Pos. 4	Name: Right bracket cpl. Quantity: 1	Pos. 8	Name: Bolt 8,8 B Quantity: 2 Dim.: M12x70mm	Pos. 14	Name: Spring washer Quantity: 9 Dim.: $\varnothing 12,2 \text{ mm}$
					
Pos. 10	Name: Bolt 8,8 B Quantity: 8 Dim.: M10x1.25x35mm	Pos. 15	Name: Spring washer Quantity: 8 Dim.: $\varnothing 10,2 \text{ mm}$	Pos. 16	Name: Ball cover Quantity: 1
					



PPUH AUTO-HAK S.J.

Produkcja Zaczepów Kulowych
Henryk & Zbigniew Nejman
76-200 SŁUPSK ul. Słoneczna 16K
tel/fax (059) 8-414-414; 8-414-413
E-mail: office@autohak.com.pl
www.autohak.com.pl

Towing hitch (without electrical set)

Class: **A50-X** Cat. no. **Y33**

Designed for:

Manufacturer: **HONDA**

Model: **CR-V**

produced since 01.2007

Technical data:

D-value: 10,43 kN

maximum trailer weight: **2000 kg**

maximum vertical cup load: **100 kg**

Approval number according to Directive 94/20/EC: **e20*94/20*0230*00**

Foreword

This towbar is designed according to rules of safety traffic regulations. The towing hitch is a safety component and can be install only by qualified personnel. Any alteration or conversion of the towing hitch is prohibited and would lead to cancellation of design certification. Remove insulating compound and underseal from vehicle (if present) in the area of the matting surfaces of the towing hitch.

The vehicle manufacturer's specifications regarding trailer load and max. vertical cup load are decisive for driving whereat values for the towing hitch cannot be exceeded.

D-value formula:

$$\frac{\text{Max trailer weight [kg]} \times \text{Max vehicle weight [kg]}}{\text{Max trailer weight [kg]} + \text{Max vehicle weight [kg]}} \times \frac{9,81}{1000} = D \text{ [kN]}$$